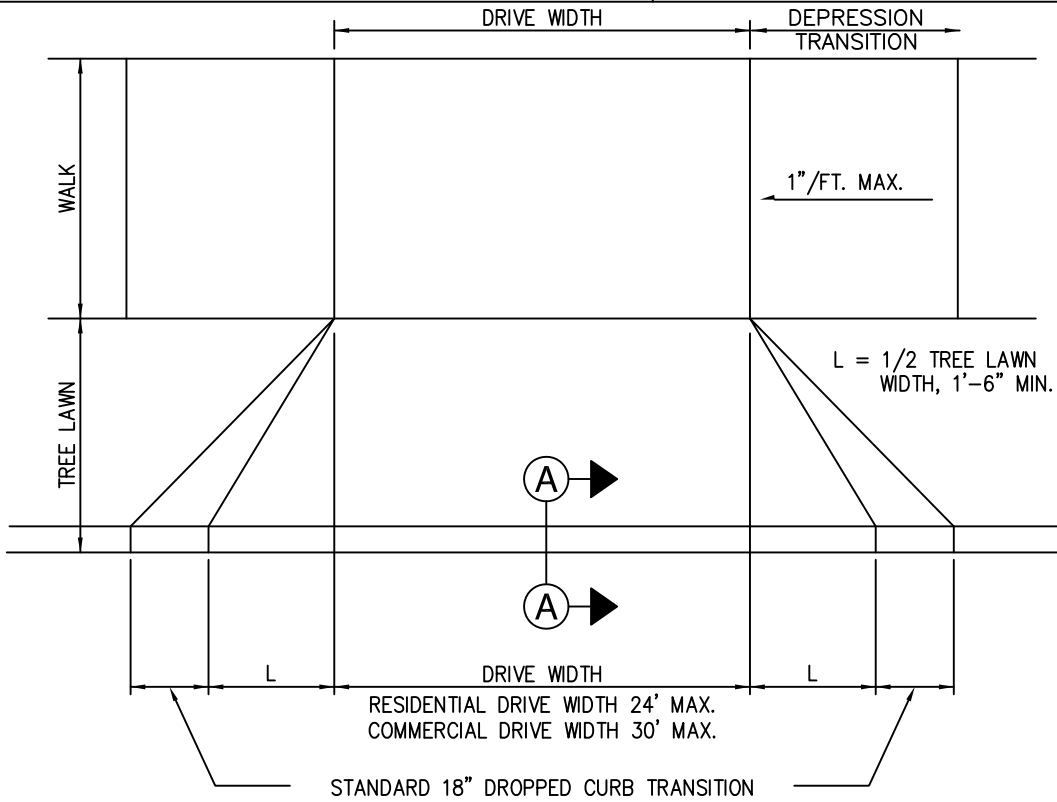




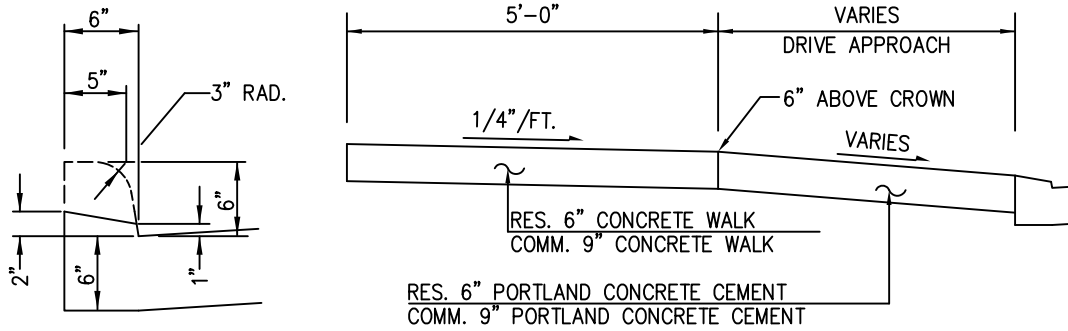
Kathy Catazaro-Perry, Mayor

CITY OF MASSILLON ENGINEERING
 151 LINCOLN WAY EAST
 MASSILLON, OHIO (330)830-1722
 FAX: (330)830-1786

DRIVEWAY APPROACH DETAIL



DRIVE PLAN



DRIVE PROFILE

A-A

NOTE

ANY DEVIATION FROM THIS MUST BE APPROVED BY THE CITY ENGINEER.
 CONCRETE SHALL BE 4000 PSI CLASS C